



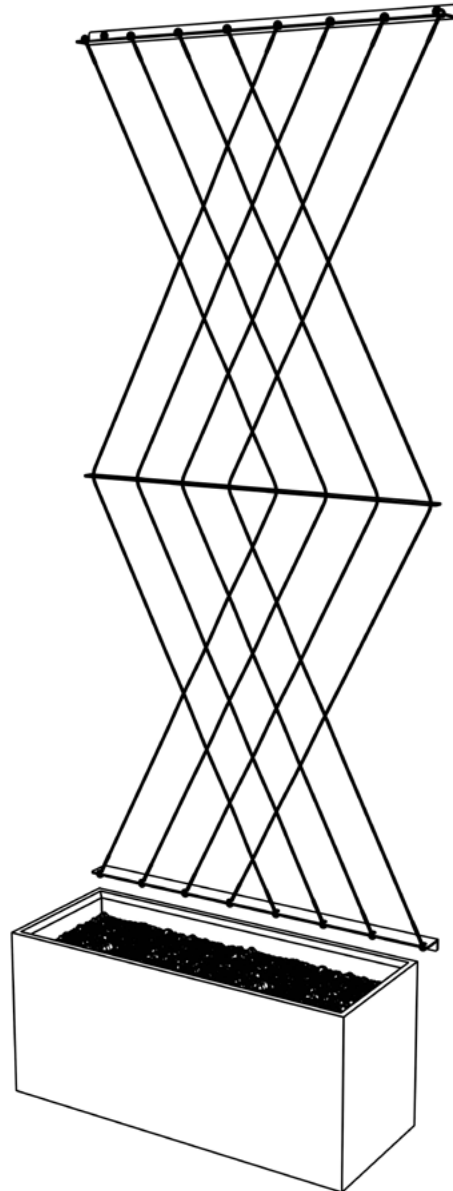
LIVING
DESIGNS

DIAMOND PLANT

TRELLIS

Medium

Installation Instructions



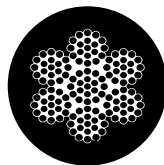
**PLANT
ONE ON ME**

Patent No: 2021100873

Planter box shown for
illustrative purposes only.



Made with powder
coated aluminium
brackets

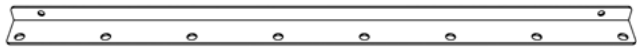


Tension cables made with
premium quality 316 marine
grade stainless steel

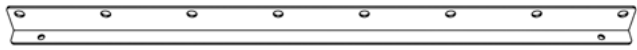


Simple DIY Installation
(No experience
necessary)

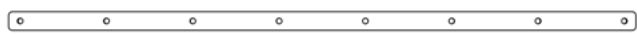
Included in the Box:



x 1



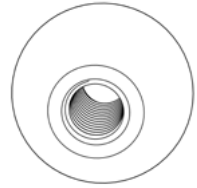
x 1



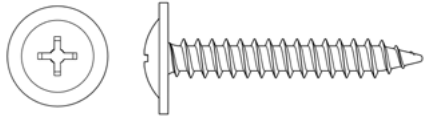
x 1



x 8



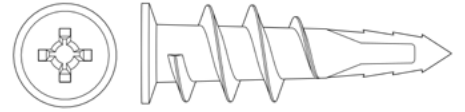
x 16



x 4



x 4



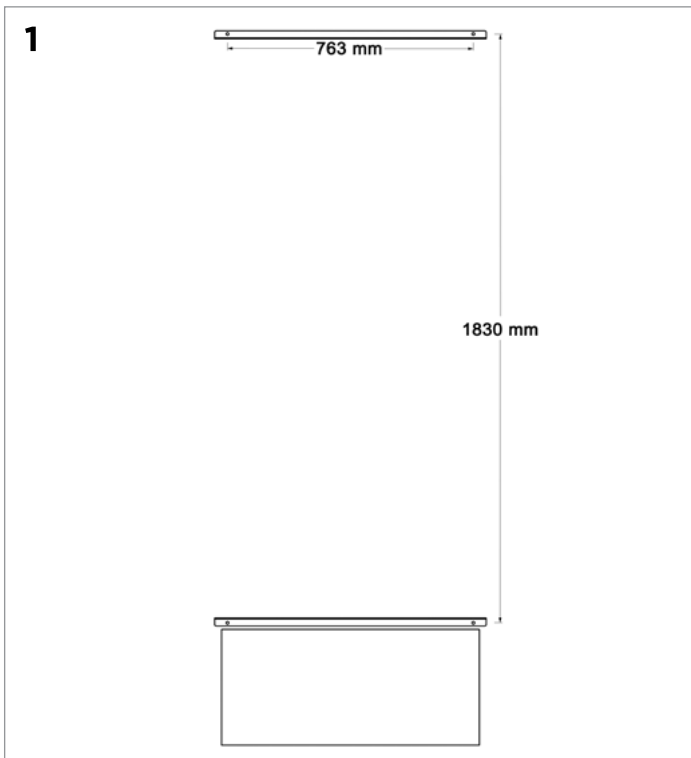
x 4

8g x 30mm Screw. Suitable for fixing into timber or using with plastic plugs. For maximum hold and where possible screws should be attached directly to wall studs.

6mm x 30mm Red wall plug. Suitable for fixing into concrete, stone, solid brick and solid block. Wall plugs suit a 6mm pre-drilled hole.

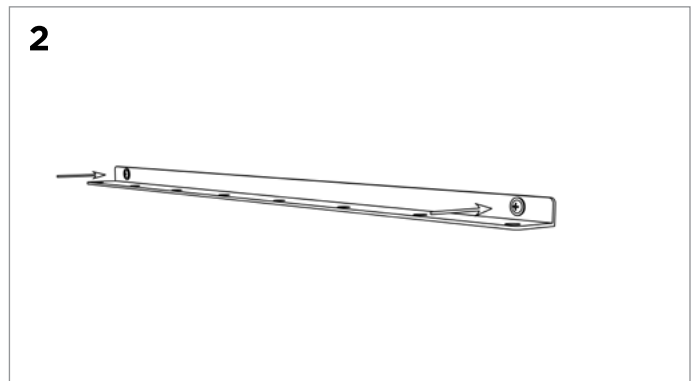
Nylon Plaster Board Anchor. Suitable for fixing into plaster board. Install using a power drill and Phillips drive bit.

Attaching Trellis Brackets to wall

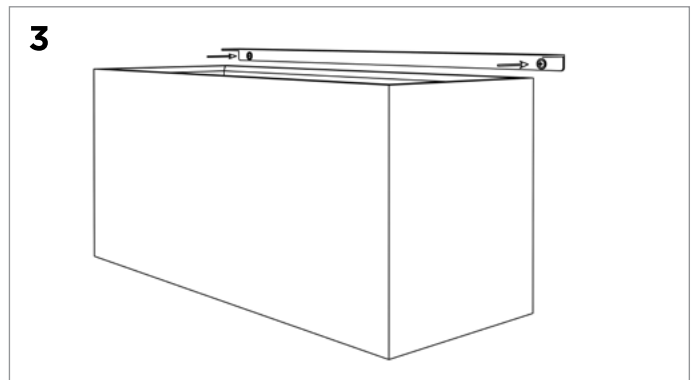


Mark out the position where the trellis will be attached to the wall. The hole centres in the brackets are 763mm and the hole centres vertically between brackets need to be 1830mm. Note: Overall dimensions of the trellis including brackets will be 840mm x 1850mm.

When using a planter box: It is recommended to have a small gap (at least 10mm) between the bottom of the bracket and the top of the planter box.

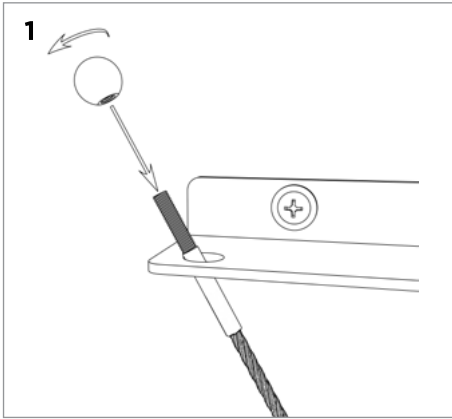


Attach the top bracket to the wall. **Note:** the the screw holes in the bracket should be at the top. The bracket should be level when attached to the wall.

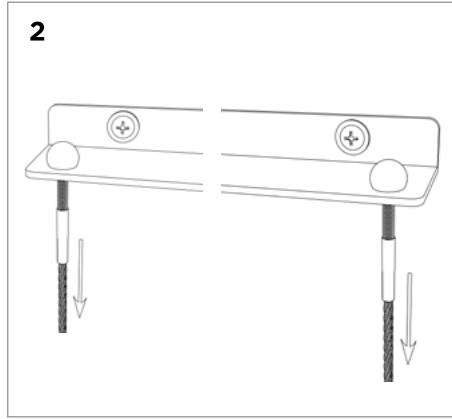


Attach the bottom bracket to the wall. **Note:** the screw holes in the bracket should be at the bottom. It is recommended to have a small gap (at least 10mm) between the bottom of the bracket and the top of the planter box.

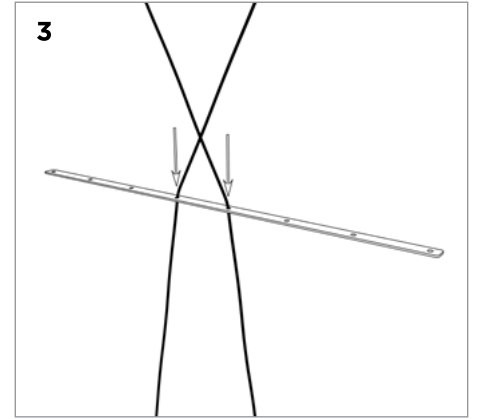
Attaching tension cables to trellis brackets



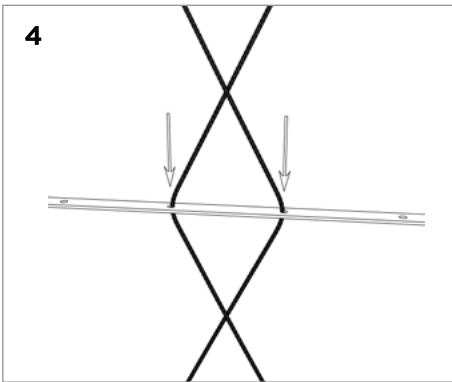
1 Feed the stud on the end of a wire through the outside hole on the top bracket. Attach the threaded ball onto the stud. Rotate the ball 2-3 times so it holds on the stud.



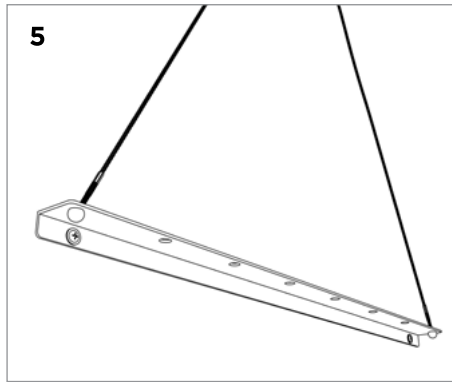
2 Pull the wire through the hole in the top fixing bracket so the threaded ball rests in the hole. Repeat the same steps with another wire at the other end of the top bracket



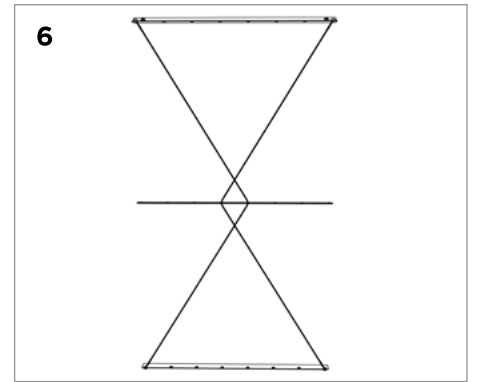
3 Cross the two wires over each other and feed the stud ends through the two inside holes on the spreader bar.



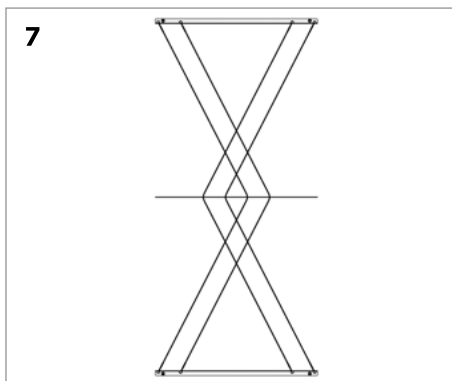
4 Cross the wires back over each other before attaching to bottom bracket.
IMPORTANT: Follow the weaving pattern as per *figure 1*. on page 4.



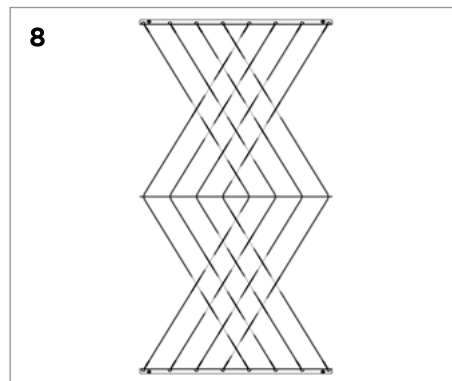
5 Attach the threaded balls to the stud ends through the bottom fixing bracket. Rotate the ball so the wires are tensioned enough to support the spreader bar.



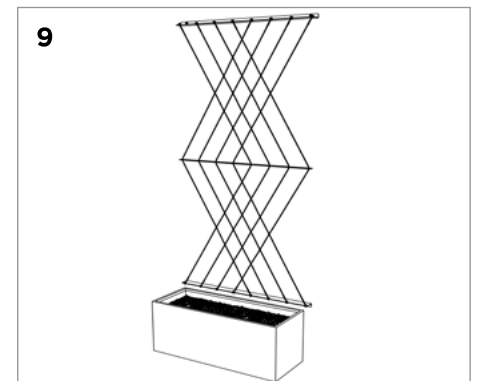
6 Level the spreader bar and position in the middle between the top and bottom fixing bracket.



7 Repeat steps 1 to 6 for all wires working from the outside holes to the inside holes on the fixing brackets (inside to outside holes on the spreader bar).
IMPORTANT: Follow the weaving pattern as per *figure 1*. on page 4.

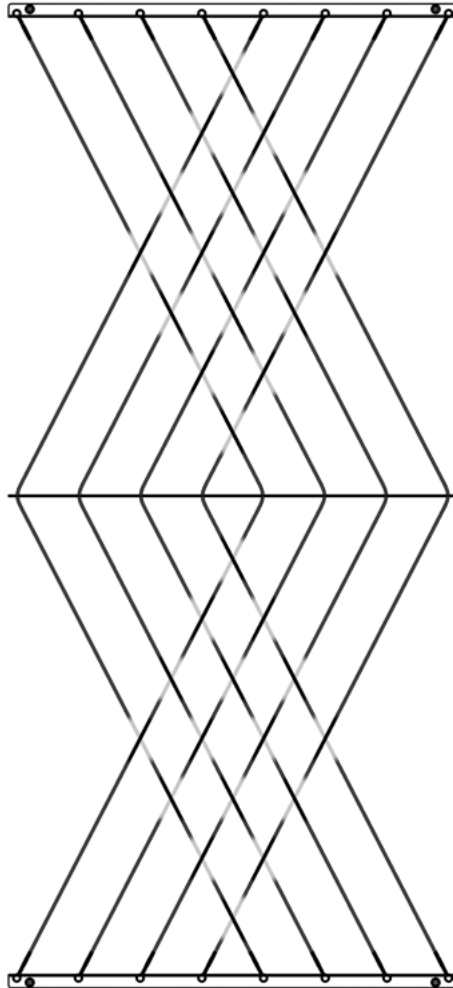


8 Tension all the wires top and bottom so they are firm but not tight. **Caution:** Over tensioning the wires may cause the fixing brackets to sag and may put extra stress on the fixing screws.



9 Congratulations you have completed your diamond plant trellis. Happy planting!

Figure 1. Recommended Weave Pattern



It is recommended to follow the weave pattern as shown above. Wires should be weaved over-under-over-under and so on. Following this pattern will ensure the trellis does not twist. A wire that is weaved over the last wire above the spreader bar should be weaved under the first wire below the spreader bar. A wire that is weaved under the last wire above the spreader bar should be weaved over the first wire below the spreader bar.

For more installation information
scan the QR Code below

Distributed By:
AWR Solutions Pty Ltd
Unit 1/ 23 Alexandra Place
Murarrie QLD 4172

p: 1300 781 266
e: sales@awrsolutions.com.au
w: awrsolutions.com.au

